

Male stud connectors

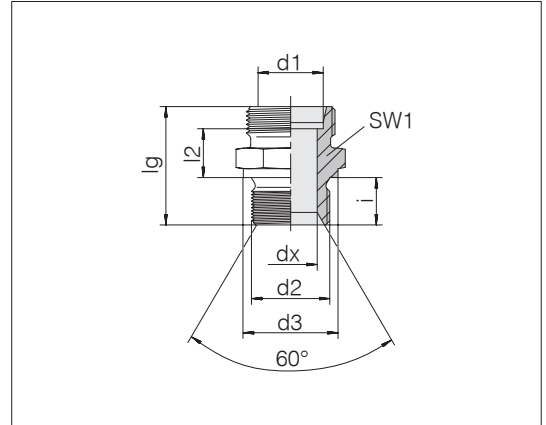
Male thread: BSPP thread, cylindrical

Threaded stud: DIN 3852-2 Form A

Sealing type: Sealing ring

Sealing material: e.g. copper sealing ring

Tube coupling: 24° in acc. with ISO 8434-1



Series	d2	Pressure	d3	dx	lg	l2	SW1	i	Nm -10 %	kg/100 ca.	Order-No.	Designation
Tube OD d1												
L 6	G 1/8 A	PN 250	14	4	23.5	8.5	14	8	20	1.4	0708002000	24-SDS-L6-G1/8A-CH60 ¹⁾
L 6	G 1/4 A	PN 250	18	4	28	9	19	12	45	2.5	0708022000	24-SDS-L6-G1/4A-CH60
L 6	G 3/8 A	PN 250	22	4	30.5	11.5	22	12	80	4.2	0708032000	24-SDS-L6-G3/8A-CH60
L 8	G 1/8 A	PN 250	14	4	24.5	9.5	17	8	20	1.8	0708062000	24-SDS-L8-G1/8A-CH60
L 8	G 1/4 A	PN 250	18	6	29	10	19	12	45	2.7	0708052000	24-SDS-L8-G1/4A-CH60 ¹⁾
L 8	G 3/8 A	PN 250	22	6	30.5	11.5	22	12	80	4.2	0708072000	24-SDS-L8-G3/8A-CH60
L 10	G 1/4 A	PN 250	18	7	30	11	19	12	45	2.7	0708102000	24-SDS-L10-G1/4A-CH60 ¹⁾
L 10	G 3/8 A	PN 250	22	7	31.5	12.5	22	12	80	4.3	0708122000	24-SDS-L10-G3/8A-CH60
L 10	G 1/2 A	PN 160	26	7	34	13	27	14	90	6.8	0708132000	24-SDS-L10-G1/2A-CH60
L 12	G 1/4 A	PN 250	18	7	31	12	19	12	45	3.1	0708162000	24-SDS-L12-G1/4A-CH60
L 12	G 3/8 A	PN 250	22	9	31.5	12.5	22	12	80	4.6	0708152000	24-SDS-L12-G3/8A-CH60 ¹⁾
L 12	G 1/2 A	PN 160	26	9	34	13	27	14	90	6.7	0708172000	24-SDS-L12-G1/2A-CH60
L 15	G 3/8 A	PN 250	22	9	32.5	13.5	24	12	80	5.1	0708212000	24-SDS-L15-G3/8A-CH60
L 15	G 1/2 A	PN 160	26	11	35	14	27	14	90	7.7	0708202000	24-SDS-L15-G1/2A-CH60 ¹⁾
L 15	G 3/4 A	PN 160	32	12	38	15	32	16	220	11.2	0708222000	24-SDS-L15-G3/4A-CH60
L 18	G 3/8 A	PN 250	22	9	33.5	14	27	12	80	6.6	0708262000	24-SDS-L18-G3/8A-CH60
L 18	G 1/2 A	PN 160	26	14	36	14.5	27	14	90	7.1	0708252000	24-SDS-L18-G1/2A-CH60 ¹⁾
L 18	G 3/4 A	PN 160	32	15	38	14.5	32	16	220	10.6	0708272000	24-SDS-L18-G3/4A-CH60
L 22	G 1/2 A	PN 160	26	14	38	16.5	32	14	90	8.8	0708312000	24-SDS-L22-G1/2A-CH60
L 22	G 3/4 A	PN 160	32	18	40	16.5	32	16	220	10.2	0708302000	24-SDS-L22-G3/4A-CH60 ¹⁾
L 22	G 1 A	PN 160	39	19	42	16.5	41	18	350	16.7	0708322000	24-SDS-L22-G1A-CH60
L 28	G 1/2 A	PN 160	26	14	39	17.5	41	14	90	13.2	0708382000	24-SDS-L28-G1/2A-CH60
L 28	G 3/4 A	PN 160	32	18	43	19.5	41	16	220	16.2	0708362000	24-SDS-L28-G3/4A-CH60
L 28	G 1 A	PN 160	39	23	43	17.5	41	18	350	16.7	0708352000	24-SDS-L28-G1A-CH60 ¹⁾
L 35	G 1 1/4 A	PN 125	49	30	48	17.5	50	20	400	27.2	0708402000	24-SDS-L35-G11/4A-CH60 ¹⁾
L 42	G 1 1/4 A	PN 125	49	30	50	19	55	20	400	33.4	0708462000	24-SDS-L42-G11/4A-CH60
L 42	G 1 1/2 A	PN 125	55	36	52	19	55	22	700	34.5	0708452000	24-SDS-L42-G11/2A-CH60 ¹⁾

¹⁾ Standard size

Threaded stud in acc. with DIN 3852-2 Form A are approved for use for gas supply in accordance with DIN 3387-1.

Example for comp.: GE06LRA

Continued on following page



Male stud connectors

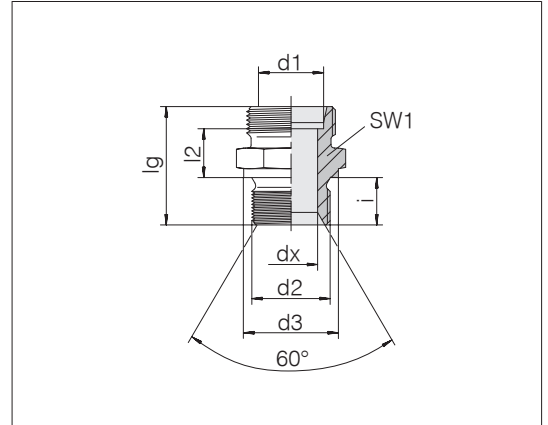
Male thread: BSPP thread, cylindrical

Threaded stud: DIN 3852-2 Form A

Sealing type: Sealing ring

Sealing material: e.g. copper sealing ring

Tube coupling: 24° in acc. with ISO 8434-1



Series	d2	Pressure	d3	dx	lg	l2	SW1	i	Nm -10 %	kg/100 ca.	Order-No.	Designation
Tube OD d1												
S 6	G 1/8 A	PN 250	14	4	27.5	12.5	17	8	20	2.4	0708512000	24-SDS-S6-G1/8A-ID4/CH60
S 6	G 1/4 A	PN 250	18	4	32	13	19	12	45	3.4	0708502000	24-SDS-S6-G1/4A-CH60 ¹⁾
S 8	G 1/8 A	PN 250	14	4	29.5	14.5	17	8	20	3.0	0708562000	24-SDS-S8-G1/8A-ID4/CH60
S 8	G 1/4 A	PN 250	18	5	34	15	19	12	45	4.1	0708552000	24-SDS-S8-G1/4A-CH60 ¹⁾
S 8	G 3/8 A	PN 250	22	5	34.5	15.5	22	12	80	5.5	0708572000	24-SDS-S8-G3/8A-CH60
S 10	G 1/4 A	PN 250	18	5	34	14.5	19	12	45	4.1	0708612000	24-SDS-S10-G1/4A-CH60
S 10	G 3/8 A	PN 250	22	7	34.5	15	22	12	80	5.5	0708602000	24-SDS-S10-G3/8A-CH60 ¹⁾
S 10	G 1/2 A	PN 160	26	7	39	17.5	27	14	90	9.2	0708622000	24-SDS-S10-G1/2A-CH60
S 12	G 1/4 A	PN 250	18	5	36	16.5	22	12	45	5.7	0708662000	24-SDS-S12-G1/4A-CH60
S 12	G 3/8 A	PN 250	22	8	36.5	17	22	12	80	6.1	0708652000	24-SDS-S12-G3/8A-CH60 ¹⁾
S 12	G 1/2 A	PN 160	26	8	39	17.5	27	14	90	9.3	0708672000	24-SDS-S12-G1/2A-CH60
S 14	G 1/2 A	PN 160	26	10	41	19	27	14	90	9.4	0708702000	24-SDS-S14-G1/2A-CH60 ¹⁾
S 16	G 3/8 A	PN 250	22	9	39	18.5	24	12	80	7.4	0708762000	24-SDS-S16-G3/8A-CH60
S 16	G 1/2 A	PN 160	26	12	41	18.5	27	14	90	9.0	0708752000	24-SDS-S16-G1/2A-CH60 ¹⁾
S 16	G 3/4 A	PN 160	32	12	45	20.5	32	16	220	14.9	0708772000	24-SDS-S16-G3/4A-CH60
S 16	G 1 A	PN 160	39	12	49	22.5	41	18	350	23.1	0708782000	24-SDS-S16-G1A-CH60
S 20	G 1/2 A	PN 160	26	12	45	20.5	32	14	90	13.3	0708812000	24-SDS-S20-G1/2A-CH60
S 20	G 3/4 A	PN 160	32	16	47	20.5	32	16	220	16.3	0708802000	24-SDS-S20-G3/4A-CH60 ¹⁾
S 20	G 1 A	PN 160	39	16	51	22.5	41	18	350	24.3	0708822000	24-SDS-S20-G1A-CH60
S 25	G 3/4 A	PN 160	32	16	51	23	41	16	220	23.6	0708862000	24-SDS-S25-G3/4A-CH60
S 25	G 1 A	PN 160	39	20	53	23	41	18	350	25.7	0708852000	24-SDS-S25-G1A-CH60 ¹⁾
S 30	G 3/4 A	PN 160	32	16	53	23.5	46	16	220	29.6	0708932000	24-SDS-S30-G3/4A-CH60
S 30	G 1 A	PN 160	39	20	55	23.5	46	18	350	31.9	0708912000	24-SDS-S30-G1A-CH60
S 30	G 1 1/4 A	PN 125	49	25	57	23.5	50	20	400	40.3	0708902000	24-SDS-S30-G11/4A-CH60 ¹⁾
S 38	G 1 A	PN 160	39	20	60	26	55	18	350	49.4	0708982000	24-SDS-S38-G1A-CH60
S 38	G 1 1/4 A	PN 125	49	25	62	26	55	20	400	53.9	0708962000	24-SDS-S38-G11/4A-CH60
S 38	G 1 1/2 A	PN 125	55	32	64	26	55	22	700	55.0	0708952000	24-SDS-S38-G111/2A-CH60 ¹⁾

¹⁾ Standard size